



Bissell®

CROSSWAVE® HF3 CORDLESS

3598, 3639, 3641 SERIES





.....3



.....4



.....5



.....6



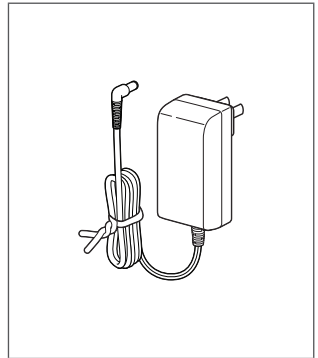
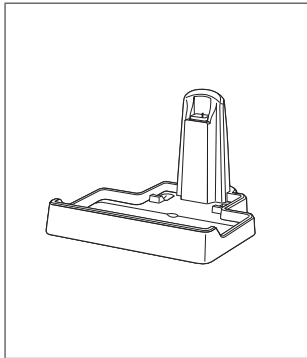
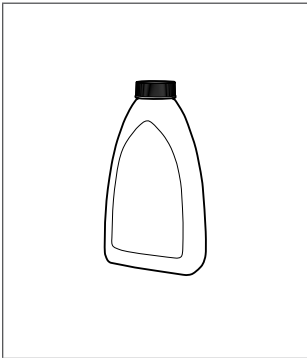
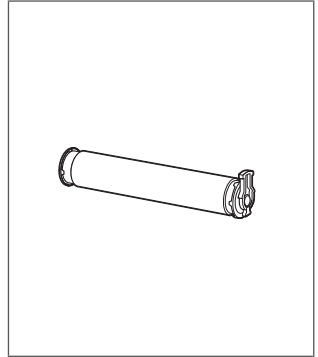
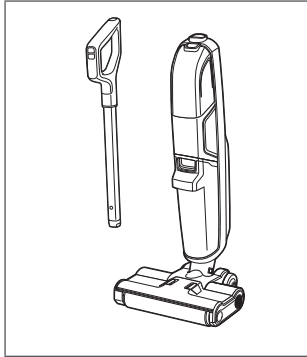
.....7

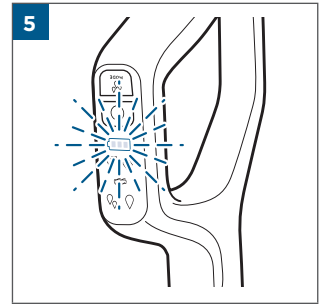
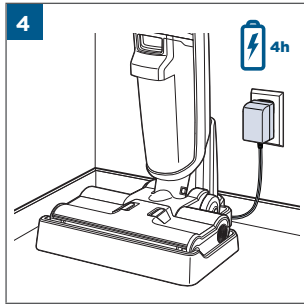
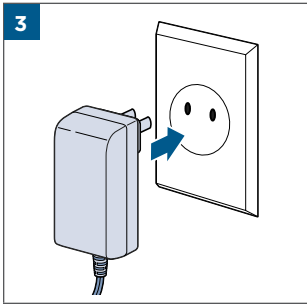
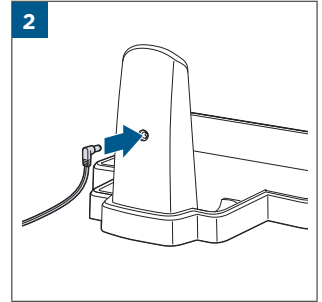
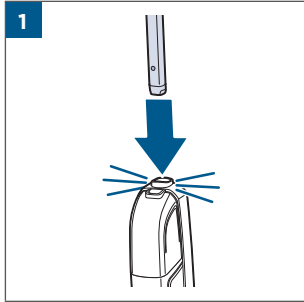


.....8

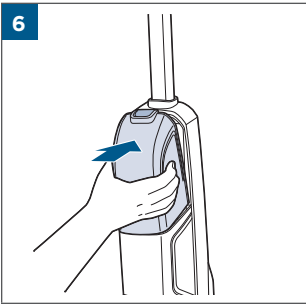
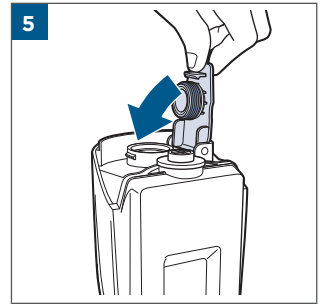
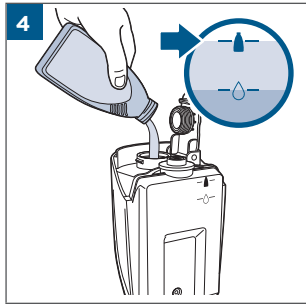
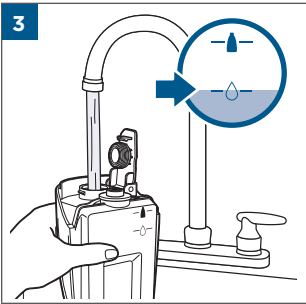
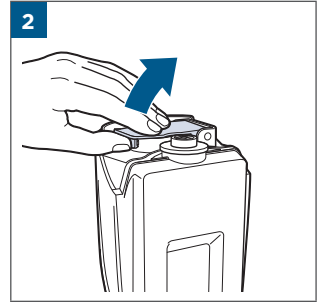
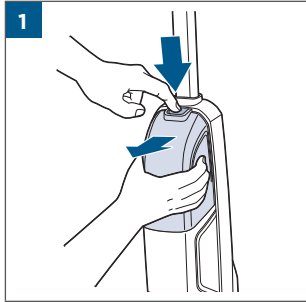


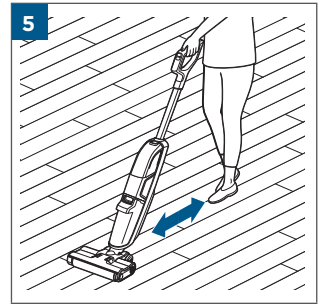
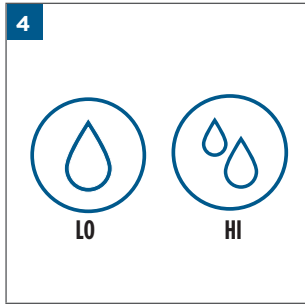
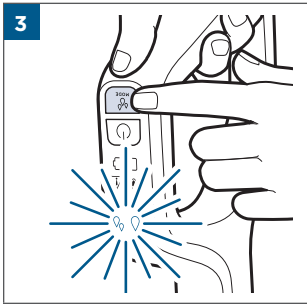
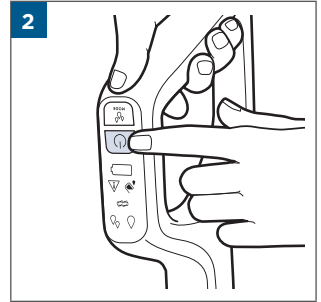
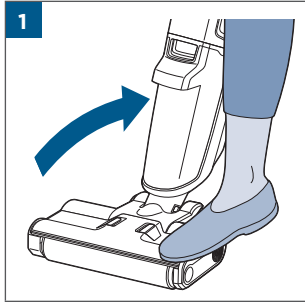
.....9

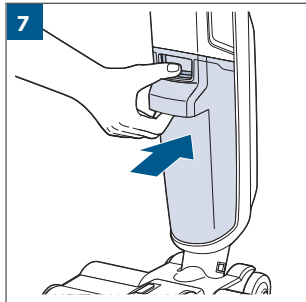
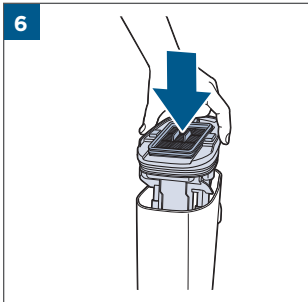
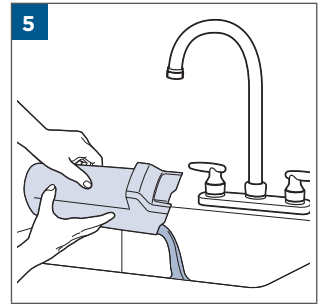
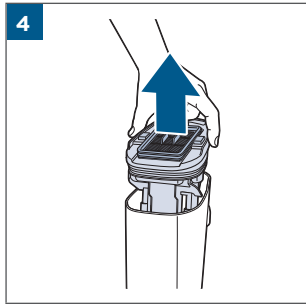
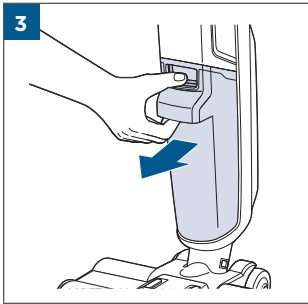
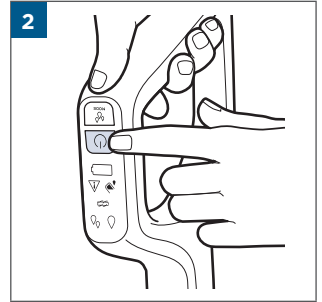
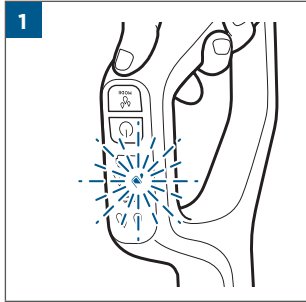


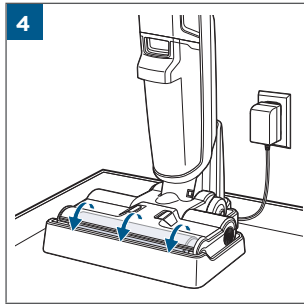
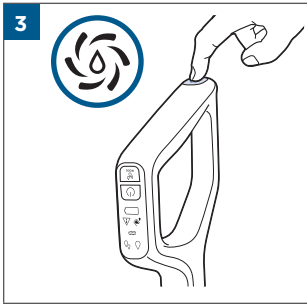
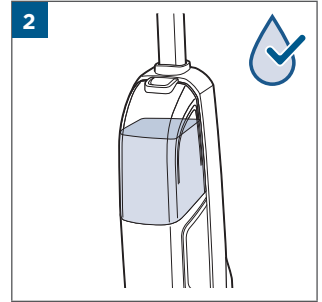
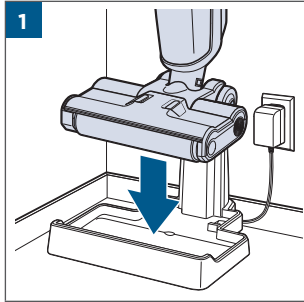


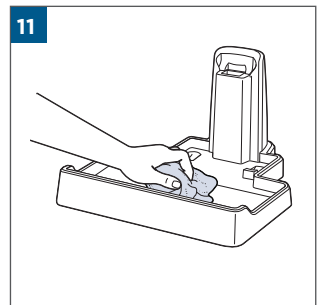
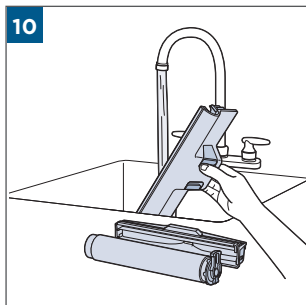
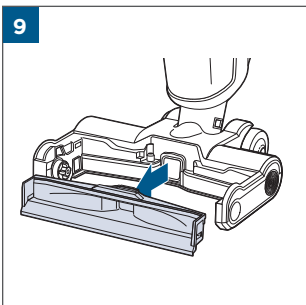
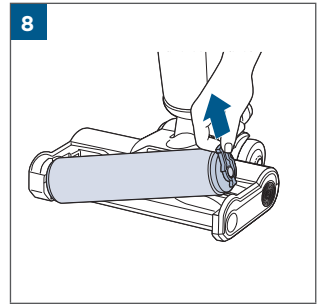
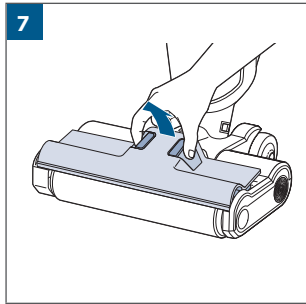
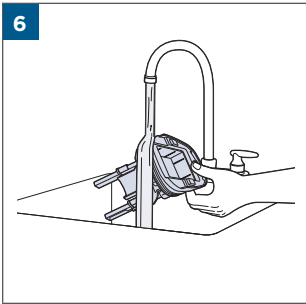
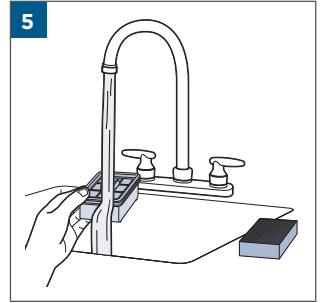
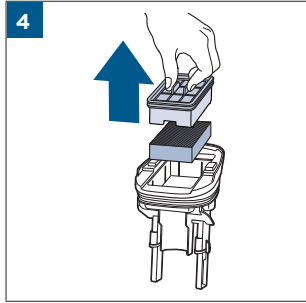
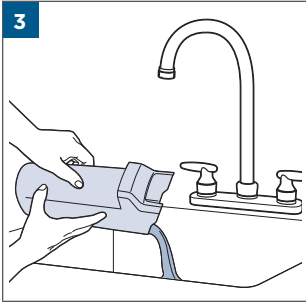
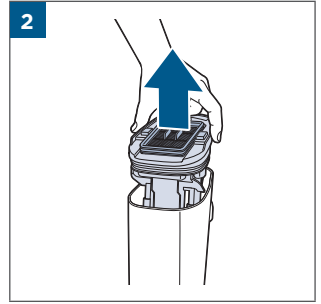
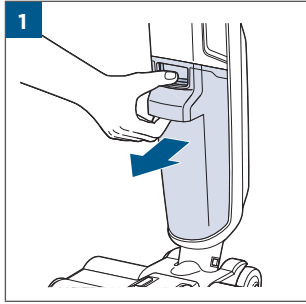
	⚡ █ █ █ ✓
100% - 70%	█ █ █
69% - 40%	□ █ █
39% - 10%	□ □ █
> 9% - 1%	□ □ █
0%	□ □ □

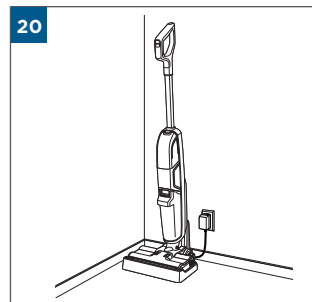
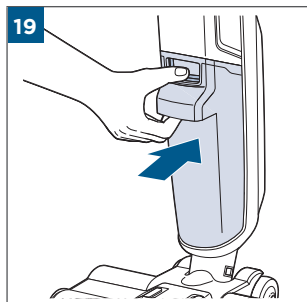
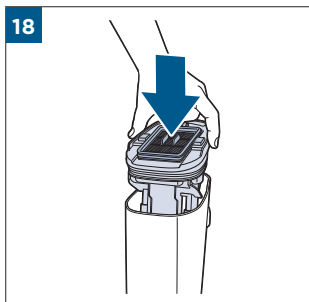
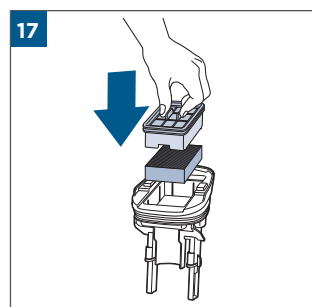
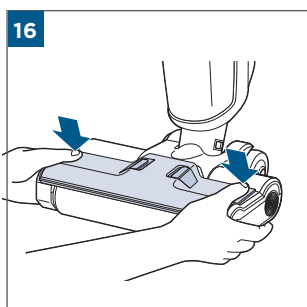
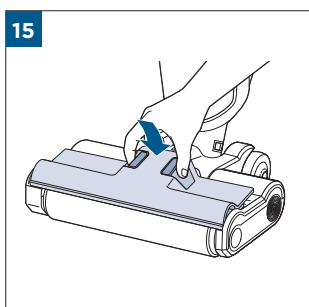
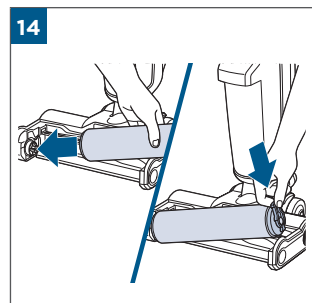
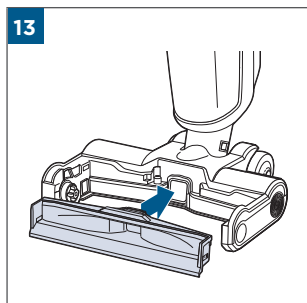
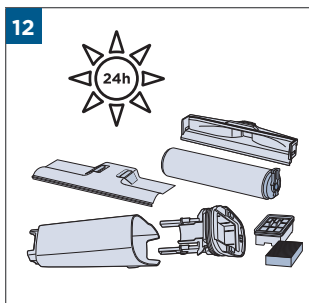














©2023 BISSELL Inc. All rights reserved.
Part Number 1635099 12/22 RevE
global.BISSELL.com